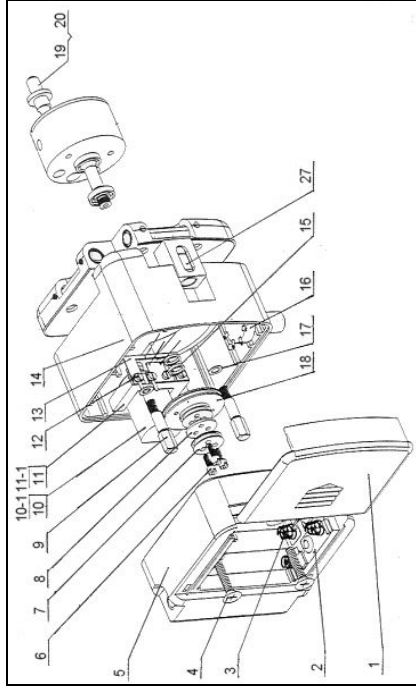
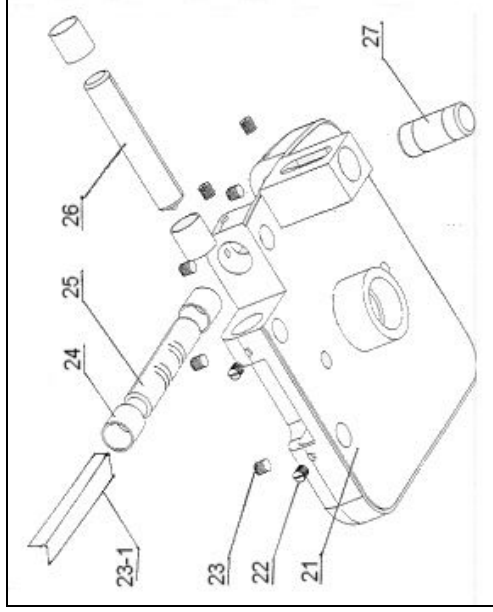


# Ersatzteile / Spare parts Rotationslaser / Rotating Laser FL 10 (260000)

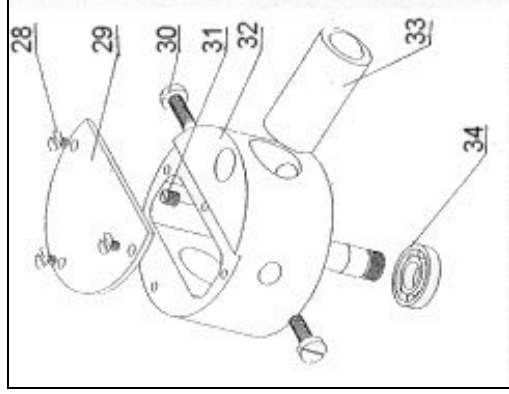


Nr.	Description	St. / Qty.	EUR pc./St.	total/Gesamt
1	Battery door		3,80	
2-3.4	Battery contact		1,20	
2-3.5	Battery contact		1,20	
2-3.6	Battery contact		1,20	
2-3.7	Battery contact		1,20	
3	Contact spring		1,20	
4	Screw		0,70	
5	Housing (lower part)		9,80	
6	Plastic screw		1,00	
7	Slip ring		3,00	
8	Insulating pad		2,50	
9	Connection screw		2,20	
10	Motor		11,00	
10-1	Drive wheel		2,05	
11	Mount of motor		7,50	
11-1	Screw		0,50	
12	Screw		1,00	
13-1	Combined brush		2,70	
13-2	Combined brush		0,50	
14	Housing (upper part)		16,00	
15	Washer		0,50	
16	ON/OFF-Potentiometer		3,90	
17	Washer		0,30	
18	Drive wheel		5,60	
19/20	Column lens with holder		12,00	
27	Vertical plate level		9,50	

# Ersatzteile / Spare parts Rotationslaser / Rotating Laser FL 10 (260000)

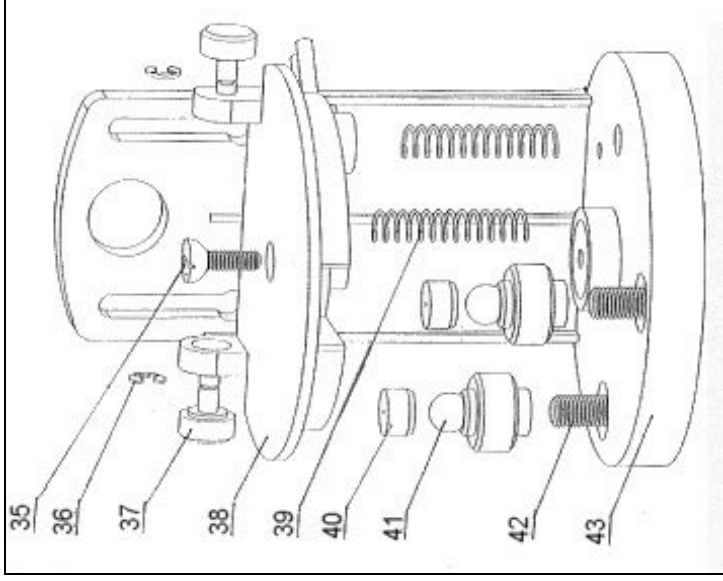


Nr.	Description	St. / Qty.	EUR pc./St.	total/Gesamt
21	Aluminiumcover		15,00	
22/23	Slotted set screw		1,60	
23-1	Tangular reed		0,30	
24	Copper ring		0,90	
25	Horizontal plate level (yellow)		7,00	
26	Horizontal plate level (white)		7,00	
27	Vertical plate level		9,50	



Nr.	Description	St. / Qty.	EUR pc./St.	total/Gesamt
28	Screw		1,00	
29	Cover		10,00	
30	Screw		0,80	
31	Screw		0,30	
32	Housing rotor head		21,00	
33	Laser diode		70,00	
34	Ball-bearing		18,00	

# Ersatzteile / Spare parts Rotationslaser / Rotating Laser FL 10 (260000)



Nr.	Description	St. / Qty.	EUR pc./St.	total/Gesamt
35	Screw		1,00	
36	C-Ring		0,50	
37	Locking thumbscrew		3,80	
38	Top plate		9,70	
39	Compression spring		1,00	
40	Mount of footscrew		3,00	
41-1	Footscrew (yellow)		7,00	
41-2	Footscrew (silver)		7,00	
42	Bolt		1,80	
43	Low plate		9,90	
44	Drive belt (w/o pic)		1,50	
45	Padded carrying case (w/o pic)		9,00	
35-43	Wall bracket		20,00	