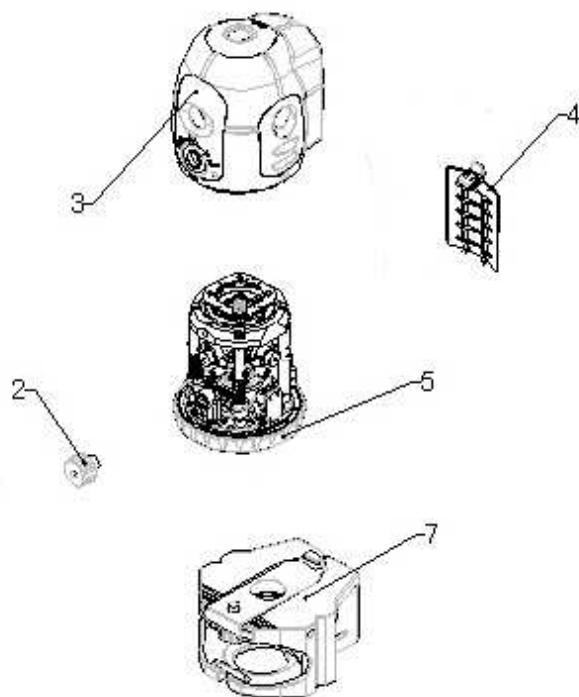
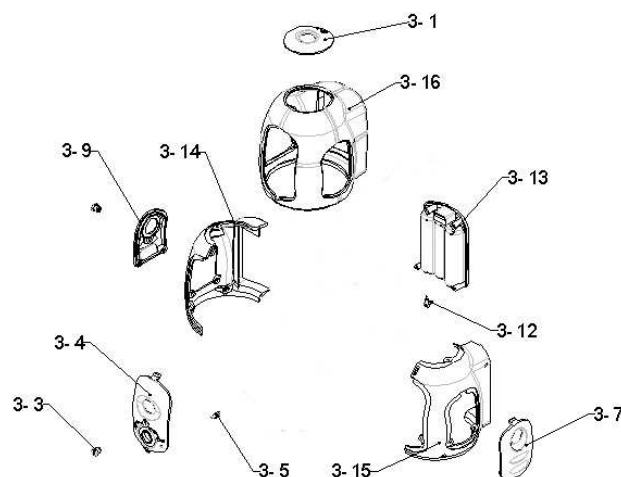


Ersatzteile / Spare parts Fünfpunkt laser / Multi-Pointer (555000)



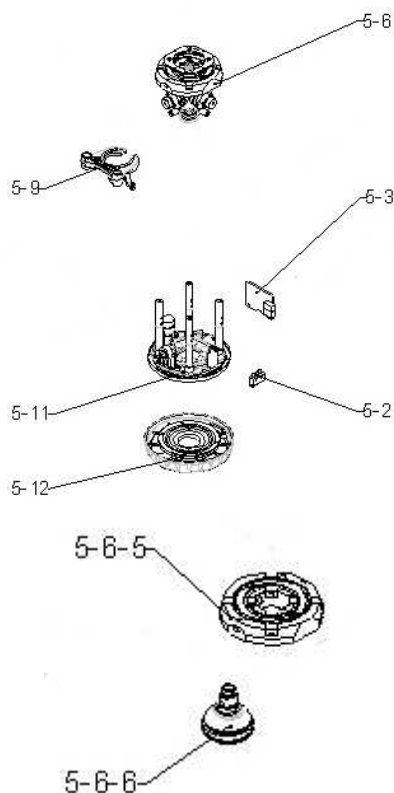
Nr.	Description	St. / Qty.	EUR pc./St.	total/Gesamt
2	Knob		0,20	
3	Housing Part		23,18	
4	Battery Cover		0,60	
5	Body Part		101,05	
7	Base Part		9,75	

Ersatzteile / Spare parts Fünfpunkt laser / Multi-Pointer (555000)



Nr.	Description	St. / Qty.	EUR pc./St.	total/Gesamt
3-1	Top Cover Module		3,00	
3-1-1	Glass		2,20	
3-3	Plastic Screws		0,20	
3-4	Front Cover Module		3,00	
3-4-1	Window glass		2,20	
3-5	Indicator Light		1,50	
3-7	Right Cover Module		3,00	
3-7-1	Window glass		2,20	
3-9	Left Cover Module		3,00	
3-9-1	Window glass		2,20	
3-12	Fixing Lead Piece		0,08	
3-13	Battery Case		0,80	
3-14	Left Housing		1,05	
3-15	Right Housing		1,05	
3-16	Rubber Jacket		2,50	

Ersatzteile / Spare parts Fünfpunkt laser / Multi-Pointer (555000)



Nr.	Description	St. / Qty.	EUR pc./St.	total/Gesamt
5-2	Switch		0,55	
5-3	Main PCB		8,50	
5-6	Core Part		64,20	
5-9	Press Ring		0,50	
5-11	Baseboard Part		9,50	
5-12	Bottom Part		15,60	

Nr.	Description	St. / Qty.	EUR pc./St.	total/Gesamt
5-6-5	Gimbal Module		25,50	
5-6-6	Pendulum Module		6,30	