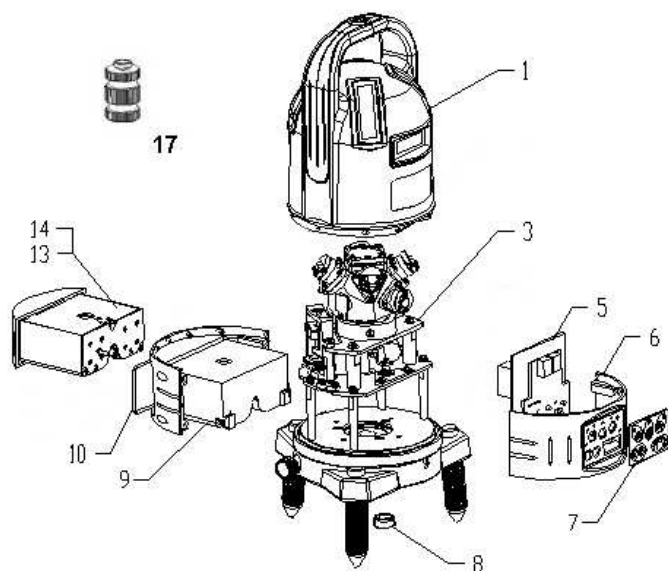


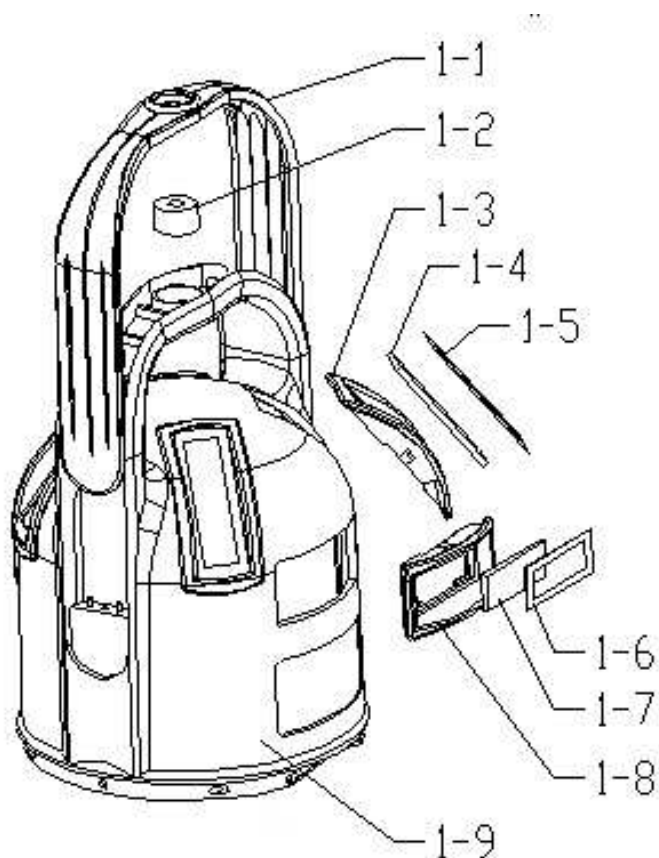
# Ersatzteile / Spare parts

## Linienlaser / Line laser FL 60 Maxi-Liner (580000)



Nr.	Description	St. / Qty.	EUR pc./St.	total/Gesamt
1	Housing Module		23,00	
3	Main Body Module #		405,45	
5	1# Main PCB		66,00	
6	Front case module		3,50	
7	Keypad		1,00	
8	Protective Glass Module		3,50	
9	Back case module		3,50	
10	Gasket		0,90	
11	Seal Spacer		0,15	
13	Rechargeable-battery box module incl. charging PCB w/o batteries		8,00	
14	Alkaline battery box module		5,00	
15	NiMH Battery pack		17,00	
16	Charger		16,00	
17	5/8" Connecting base		5,00	
18	rechargeable-battery box module		25,00	
19	Container		33,00	
19-1	Locking device of container		2,30	

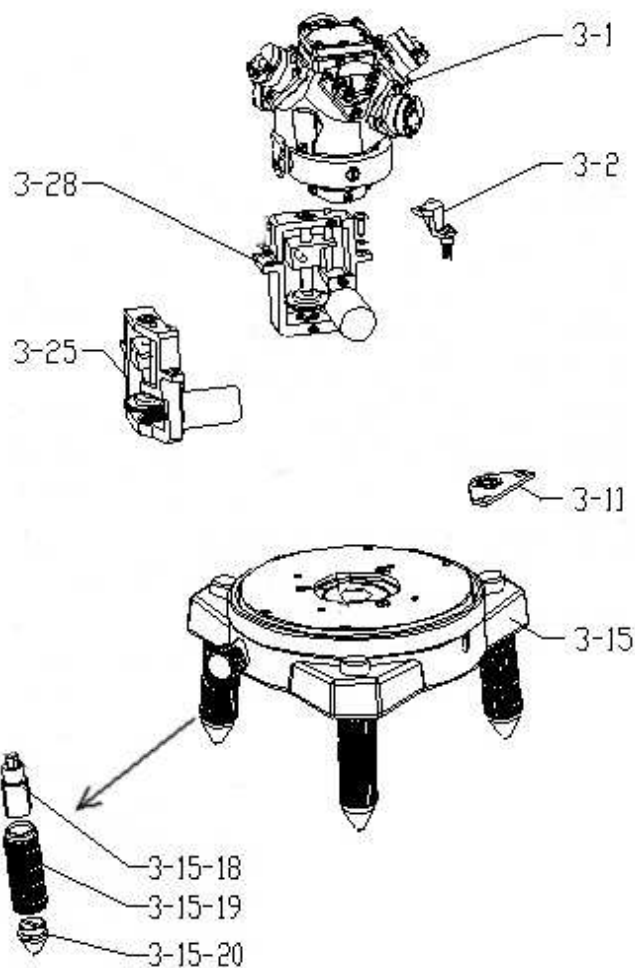
## Ersatzteile / Spare parts Linienlaser / Line laser FL 60 Maxi-Liner (580000)



Nr.	Description	St. / Qty.	EUR pc./St.	total/Gesamt
1-1	Knob cover		1,50	
1-2	Round Bubble		0,55	
1-3	Vertical Window frame		0,35	
1-4	Vertical glass		2,80	
1-5	Vertical window-frame paster		0,02	
1-6	Horizontal window frame paster		0,02	
1-7	Horizontal glass		2,50	
1-8	Horizontal window-frame		0,35	
1-9	Housing module		7,00	

# Ersatzteile / Spare parts

## Linienlaser / Line laser FL 60 Maxi-Liner (580000)



Nr.	Description	St. / Qty.	EUR pc./St.	total/Gesamt
3-1	Core Module		271,09	
3-1-5	635nm/5mW Line laser module (x)		26,50	
3-2	Alarm rod module		0,75	
3-11	5# Alarm PCB		7,50	
3-15	Base Module		37,00	
3-15-18	Support-leg screw		1,25	
3-15-19	Support-leg Turnbuckle		0,90	
3-15-20	Tiptoe		0,70	
3-25	X-direction leveling mechanism module		35,00	
3-25-1	motor module		26,00	
3-28	Y-direction leveling mechanism module		35,00	
3-28-1	motor module		25,00	