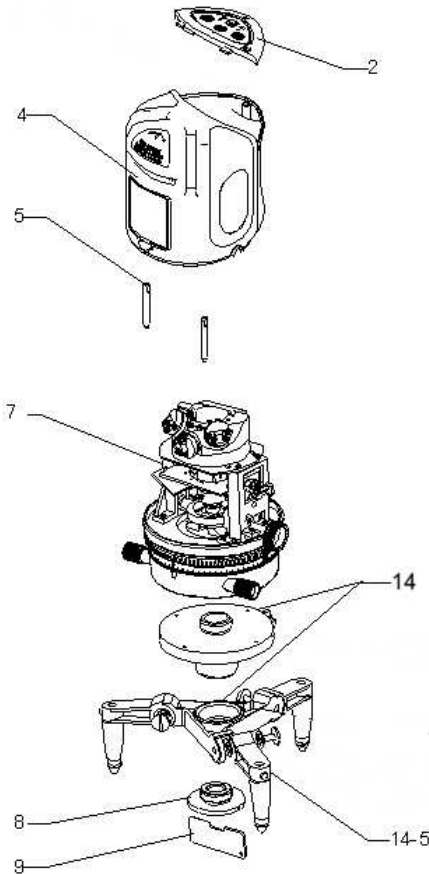
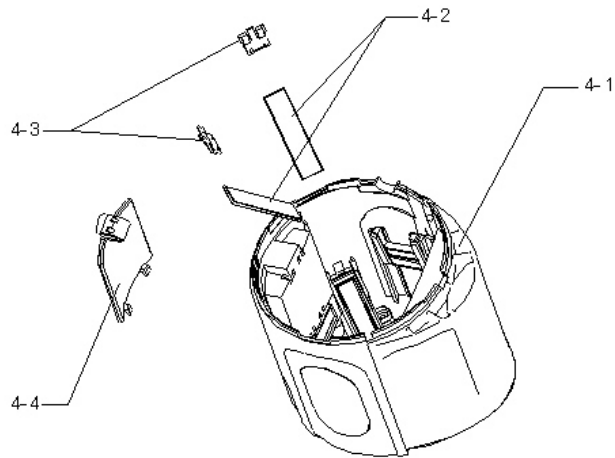


# Ersatzteile / Spare parts Linienlaser / Line laser FL 55 (500050)



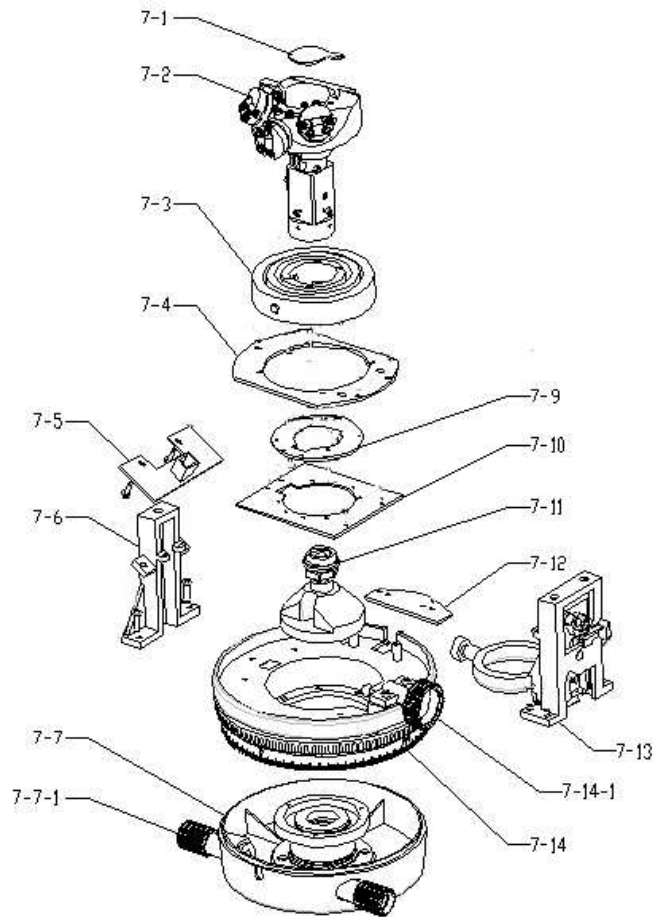
Nr.	Description	St. / Qty.	EUR pc./St.	total/Gesamt
2	top cover module			
4	housing module			
7	body module			
8	threaded connector			
9	spanner			
14-5	adjustable support foot module			
15	NiMH Battery pack (w/o pic)			
16	Charger (w/o pic)			
17	Container (w/o pic)			
17-1	Locking device of container (w/o pic)			

# Ersatzteile / Spare parts Linienlaser / Line laser FL 55 (500050)



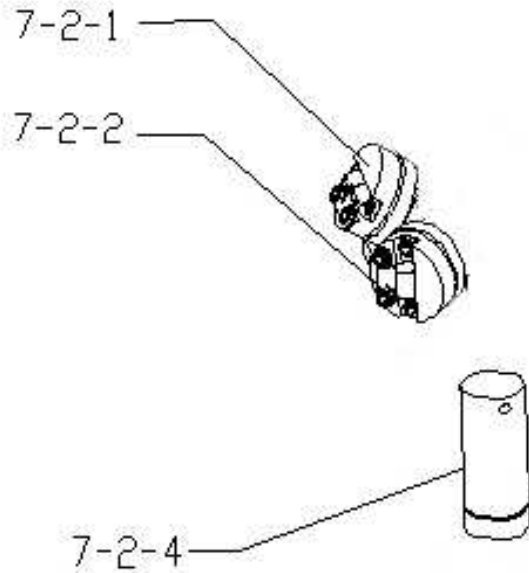
Nr.	Description	St. / Qty.	EUR pc./St.	total/Gesamt
4-1	housing module			
4-2	window glass			
4-3	pressing board			
4-4	battery cover			

## Ersatzteile / Spare parts Linienlaser / Line laser FL 55 (500050)



Nr.	Description	St. / Qty.	EUR pc./St.	total/Gesamt
7-1	cover board			
7-2	core module			
7-3	gimbal module			
7-4	support board			
7-5	4# alarming PCB			
7-6	bracket			
7-7	bottom base module			
7-7-1	tangent screw			
7-9	3# connecting PCB			
7-10	2# controlling PCB			
7-11	pendulum module			
7-12	5# input power PCB			
7-13	bracket sliding ring module			
7-14	rotating base module			
7-14-1	Locking knob			

# Ersatzteile / Spare parts Linienlaser / Line laser FL 55 (500050)



Nr.	Description	St. / Qty.	EUR pc./St.	total/Gesamt
7-2-1	635 vertical laser module □2pcs□			
7-2-2	635 horizontal laser module			
7-2-4	650 down plumb laser module			