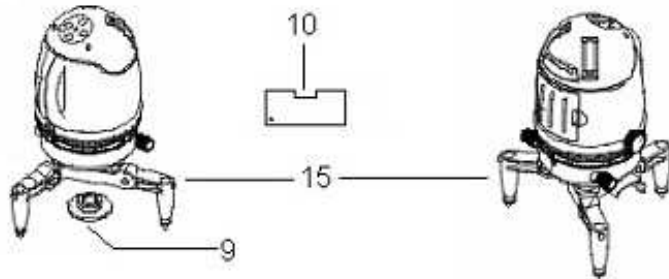
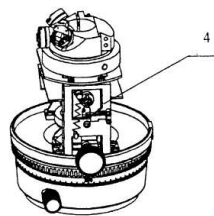
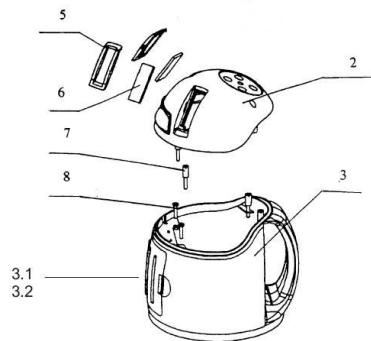


Ersatzteile / Spare parts

Linienlaser / Line Laser FL 50 (500000)



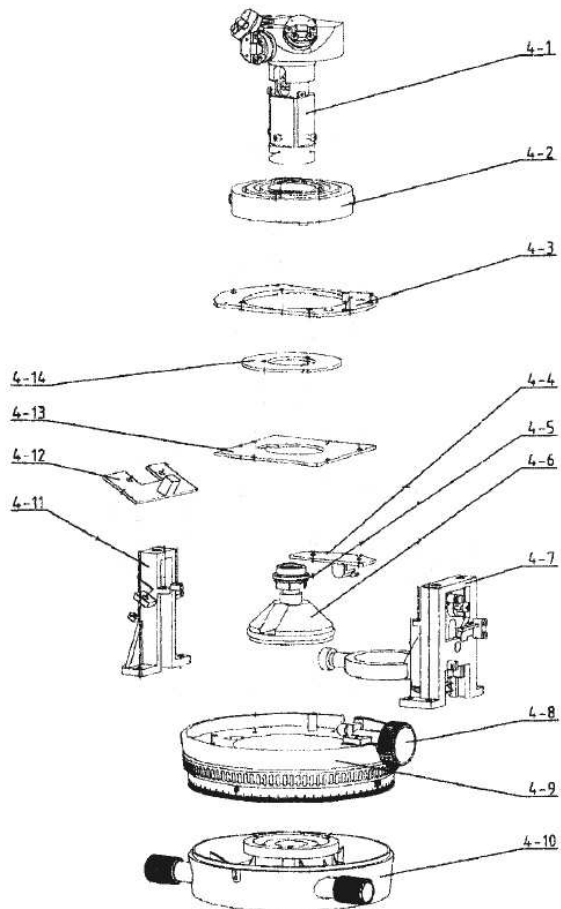
Nr.	Description	St. / Qty.	EUR pc./St.	total/Gesamt
2	Top cover / old (incl. 2.1 & 2.2)		5,00	
2.1-P	Top cover pulsed (incl. 2.1 & 2.2)		5,00	
2.1	On/Off PCB / pulsed (w/o pic.)		2,35	
2.1/2	On/Off PCB / old (w/o pic.)		2,35	
2.2	Film-covered button / pulsed		1,10	
2.2/2	Film-covered button / old		1,10	
3	Housing assy. (incl. 3.1 & 3.2)		7,95	
3.1	Battery door		1,00	
3.2	Battery contact		0,75	
4	Main part		305,25	
5	Window frame		0,60	
6	Window glass		2,60	
7	Special connecting bolt		0,40	
8	Hair spring		0,30	
9	5/8" Adapter for builders' tripod		2,30	
10	Tool to fix 5/8" Adapter		1,20	
11	Leads with socket (w/o pic.)		3,75	
12	Container assy. (w/o pic.)		33,00	
12.1	Locking device (w/o pic.)		2,30	
13	NiMH-Battery pack (w/o pic.)		8,60	
14	Charger (w/o pic.)		16,00	
15	Floor tripod		9,00	

geo-Fennel GmbH

Kupferstr. 6, 34225 Baunatal

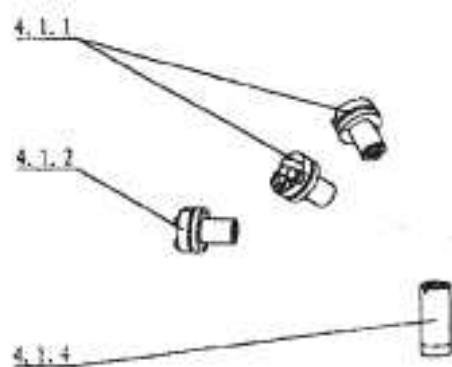
+49 561-49 21 45, +49 561-49 72 34

Ersatzteile / Spare parts Linienlaser / Line Laser FL 50 (500000)



Nr.	Description	St. / Qty.	EUR pc./St.	total/Gesamt
4.1	Laser assy.		92,00	
4.2	Gimbal module		35,00	
4.3	Connect board		2,65	
4.4	#05# PCB (recharging)		3,00	
4.5	Pressing ring		2,00	
4.6	Pendulum		7,50	
4.7	Holder 1		6,60	
4.8	Locking switch		2,50	
4.9	Base with circle 360°		8,40	
4.10	Base with tangent screw		10,80	
4.11	Holder 2		3,90	
4.12	#04 PCB (alarming)		10,20	
4.13	#02 PCB (controlling)		22,15	
4.14	#03 PCB (controlling)		3,00	

Ersatzteile / Spare parts Linienlaser / Line Laser FL 50 (500000)



Nr.	Description	St. / Qty.	EUR pc./St.	total/Gesamt
4.1.1	Laser diode / V-Beam		29,40	
4.1.2	Laser diode / Hz-Beam		27,00	
4.1.4	Laser diode / Plumb down beam		12,00	