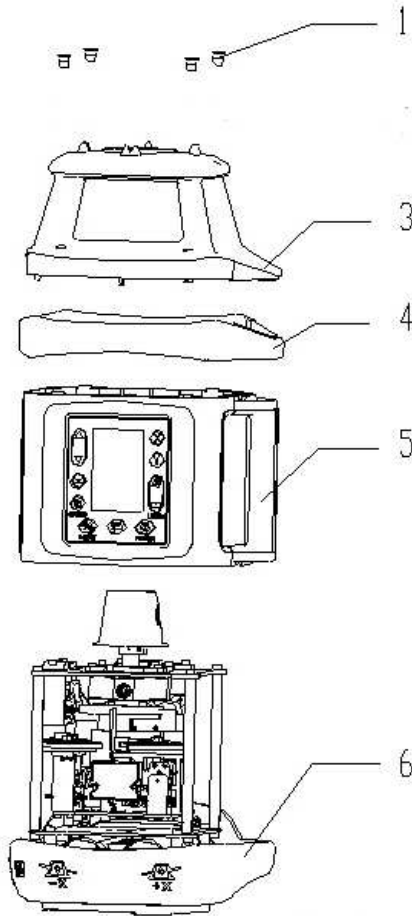


# Ersatzteile / Spare parts

## Rotationslaser / Rotating Laser FL 400 HA-G (230000)



Nr.	Description	St. / Qty.	EUR pc./St.	total/Gesamt
1	Plug		0,05	
3	Top Cover Parts		52,00	
4	Top cover housing jacket		4,30	
5	Housing Parts		79,00	
5-1	ON/OFF Film		3,75	
5-2	ON/OFF PCB (w/o pic.)		66,00	
5-3	Handle		2,40	
6	Base Modules		617,70	
7	M4x20 Inner hexagon columned screw		0,15	
8	NiMH Battery pack (w/o pic.)		44,00	
9	Container with foam (w/o pic.)		42,00	
9-1	Locking device / container (w/o pic.)		2,30	
10	Charger (w/o pic.)		16,00	
11	Remote control (w/o pic.)		27,95	
12	Telescope (w/o pic.)		31,00	
13	Mount of telescope (w/o pic.)		7,00	

geo-Fennel GmbH

Kupferstr. 6, 34225 Baunatal

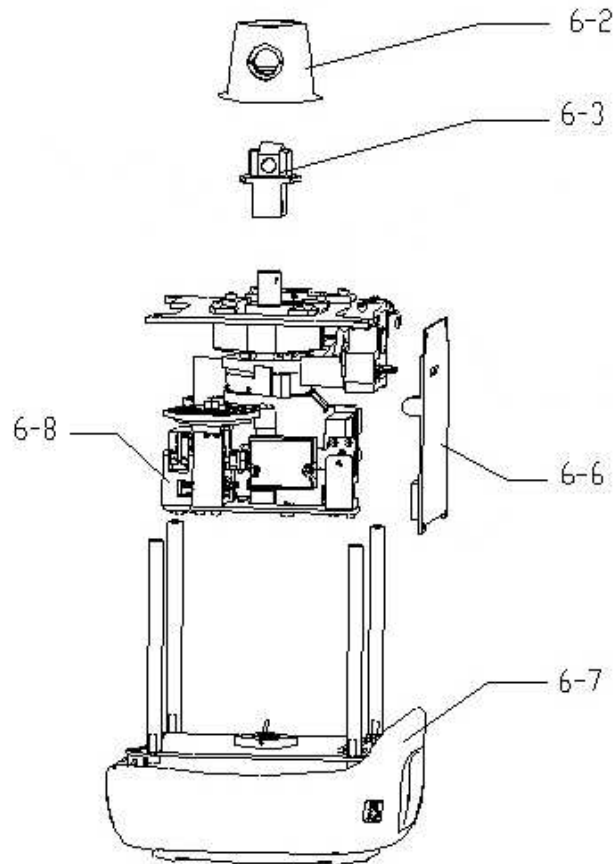
+49 561-49 21 45, +49 561-49 72 34

# Ersatzteile / Spare parts

## Rotationslaser / Rotating Laser FL 400 HA-G (230000)

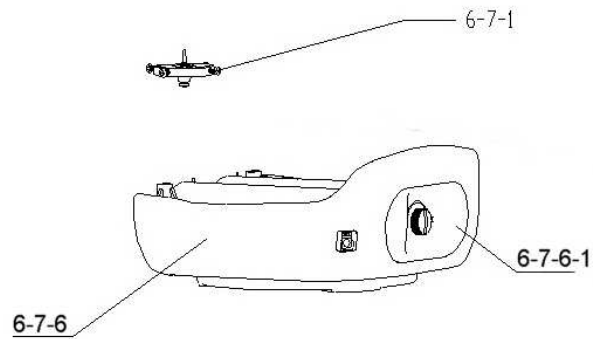


Nr.	Description	St. / Qty.	EUR pc./St.	total/Gesamt
6-2	Rotating Head		5,50	
6-3	Prism Seat		15,75	
6-6	530-1# Main Board		152,00	
6-7	Base Parts		62,35	
6-8	Core of machine		380,75	

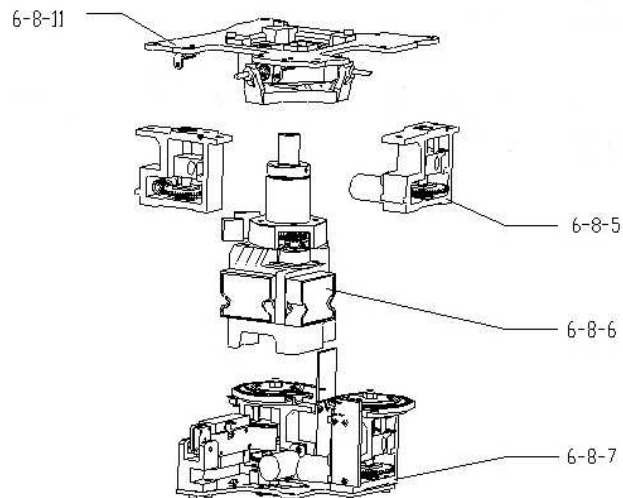


# Ersatzteile / Spare parts

## Rotationslaser / Rotating Laser FL 400 HA-G (230000)



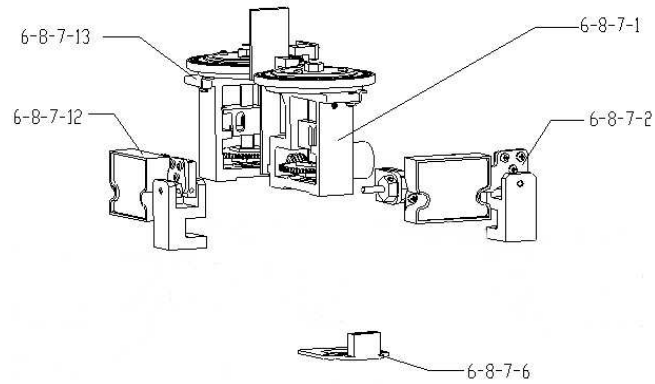
Nr.	Description	St. / Qty.	EUR pc./St.	total/Gesamt
6-7-1	Alarming Bracket Parts		4,45	
6-7-6	Base parts		25,00	
6-7-6-1	Battery cover		6,15	
6-7-6-2	Base parts jacket		9,00	
6-7-6-3	Receiving diode		3,70	
6-7-6-4	Recharging PCB (w/o pic.)		4,45	
6-7-6-5	Plug for charging socket		0,10	



Nr.	Description	St. / Qty.	EUR pc./St.	total/Gesamt
6-8-5	Adjusting base module		67,40	
6-8-5-1	Horizontal adjusting base		38,00	
6-8-5-3	Motor module		29,40	
6-8-6	Pedestal parts		120,00	
6-8-6-1	Motor module		26,70	
6-8-6-2	X-Sensor module		21,00	
6-8-6-3	Y-Sensor module		21,00	
6-8-6-4	Laser module 635 nm		18,50	
6-8-6-5	Section control PCB		8,30	
6-8-7	Grads adjusting module		221,30	
6-8-11	Gimbal parts		36,00	

# Ersatzteile / Spare parts

## Rotationslaser / Rotating Laser FL 400 HA-G (230000)



Nr.	Description	St. / Qty.	EUR pc./St.	total/Gesamt
6-8-7-1	Y -direction grads adjusting parts		72,90	
6-8-7-1-1	Motor module		29,40	
6-8-7-2	Y -direction grads lever parts		32,10	
6-8-7-2-1	Sensor		21,00	
6-8-7-6	7# Alarming board		3,85	
6-8-7-12	X-direction grads lever parts		31,90	
6-8-7-12-1	Sensor		21,00	
6-8-7-13	X -direction grads adjusting parts		72,80	
6-8-7-13-1	Motor module		29,40	