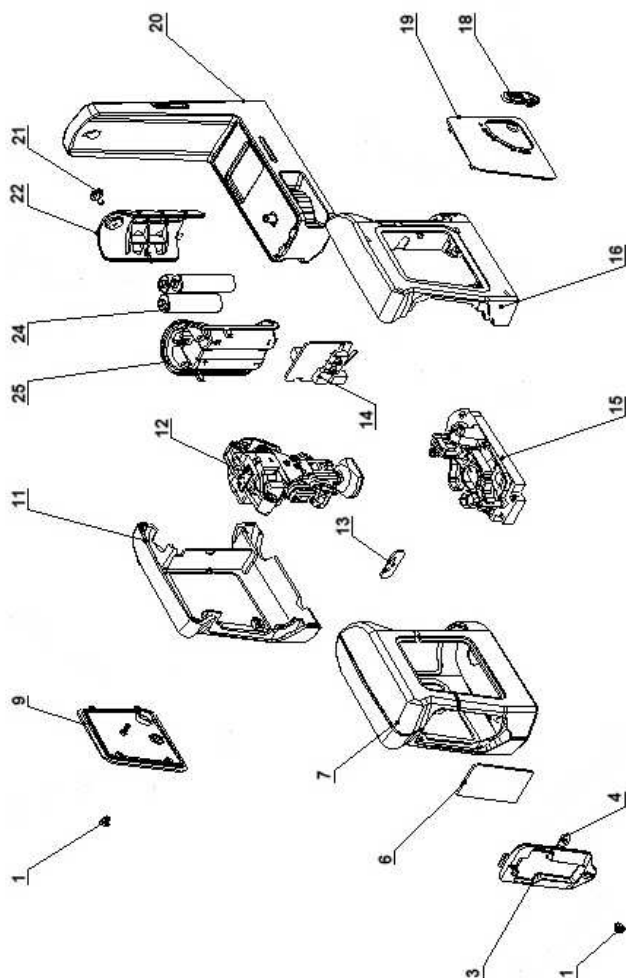


Ersatzteile / Spare parts

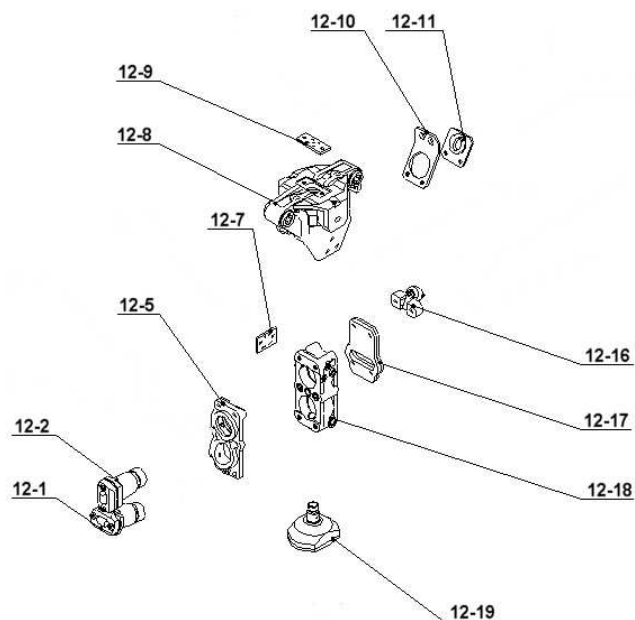
Linienlaser / Line Laser FL 40-Pocket-II (541000) and FL 40-Pocket-II HP (541100)



Nr.	Description	St. / Qty.	EUR pc./St.	total/Gesamt
1	Plastic Screw (2 PCS)		0,06	
3	Window Frame		0,15	
4	Connector 2		0,15	
6	Glass		1,15	
7	Rubber Jacket		1,15	
9	Back Cover (FL 40-Pocket-II)		0,20	
9-1	Back Cover (FL 40-Pocket-II HP)		0,20	
11	Rear Shell		1,45	
12	Core Parts (FL 40-Pocket-II)		35,19	
12-1	Core Parts (FL 40-Pocket-II HP)		35,19	
13	Connector 1		0,20	
14	4# Main Circuit Board		3,20	
15	Seat Parts		4,55	
16	Front Shell		1,80	
18	Switch		0,09	
19	Front Cover (FL 40-Pocket-II)		0,20	
19-1	Front Cover (FL 40-Pocket-II HP)		0,20	
20	Holder assy.		6,69	
21	Battery Door Screw		0,50	
22	Battery Door		0,50	
25	Battery Compartment		0,50	
26	Soft bag (FL 40-Pocket-II)		1,00	
26-1	Soft bag (FL 40-Pocket-II HP)		1,00	

Ersatzteile / Spare parts

Linienlaser / Line Laser FL 40-Pocket-II (541000) and FL 40-Pocket-II HP (541100)



Nr.	Description	St. / Qty.	EUR pc./St.	total/Gesamt
12-1	635nm Vertical Line Indicator (FL 40-Pocket-II)		8,60	
12-1-1	635nm Vertical Line Indicator (FL 40-Pocket-II HP)		8,60	
12-2	653nm Horizontal Line Indicator (FL 40-Pocket-II)		8,60	
12-2-1	653nm Horizontal Line Indicator (FL 40-Pocket-II HP)		8,60	
12-5	Adjusting Seat		1,80	
12-7	1# Connecting Circuit Board		0,22	
12-8	Gimbal Module		7,20	
12-9	2# Connecting Circuit Board		0,30	
12-10	Alarm Bracket		0,50	
12-11	3# Connecting Circuit Board		1,50	
12-16	Alarm Seat Module		0,45	
12-17	Block Weight (2 PCS)		0,20	
12-18	Substrate		2,60	
12-19	Plummet Parts		2,30	