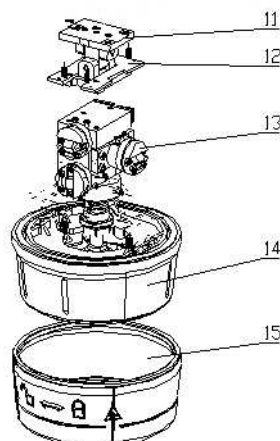
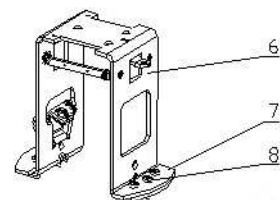
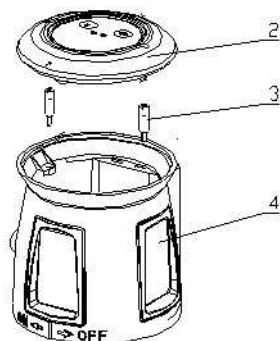


Ersatzteile / Spare parts

Linienlaser / Line Laser FL 40-3Liner (530000) and FL 40-3Liner HP (530100)



Nr.	Description	St. / Qty.	EUR pc./St.	total/Gesamt
2	Top Cover Module			
3	6# Connecting Staff			
4	Housing Module			
6	Bracket Module			
7	02-17# Support Board			
8	Crosshead Plate Tapping Screw			
11	Gimbal Module			
12	2# Circuit Board			
13	Core Module			
14	Base Module			
15	Base Cover			

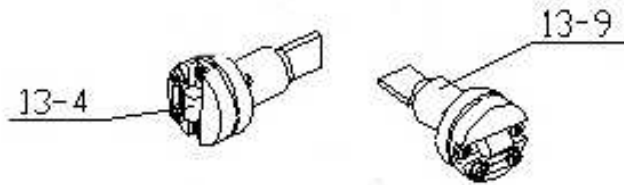
geo-Fennel GmbH

Kupferstr. 6, 34225 Baunatal

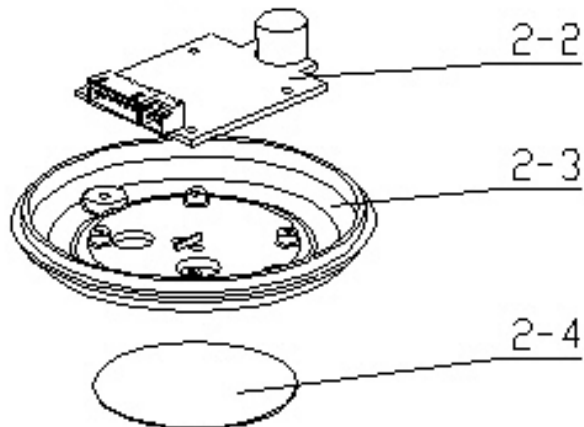
+49 561-49 21 45, +49 561-49 72 34

Ersatzteile / Spare parts

Linienlaser / Line Laser FL 40-3Liner (530000) and FL 40-3Liner HP (530100)



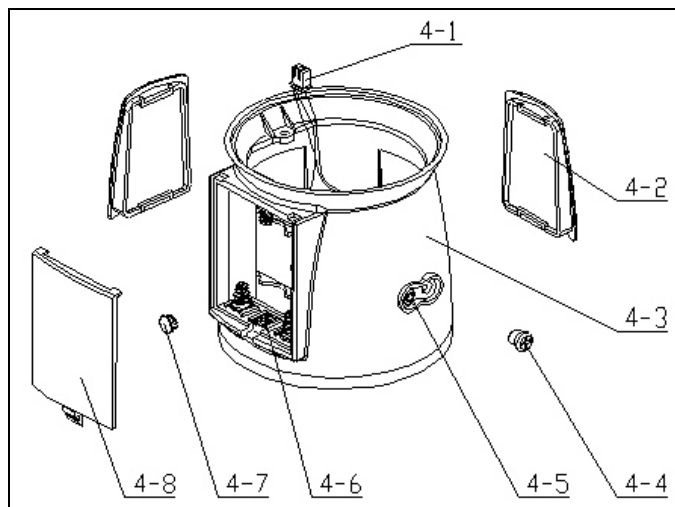
Nr.	Description	St. / Qty.	EUR pc./St.	total/Gesamt
13-4	φ4.5X6 Cylinder			
13-9	Line Source Module (FL 40-3Liner)			
13-9-1	Line Source Module (FL 40-3Liner HP)			



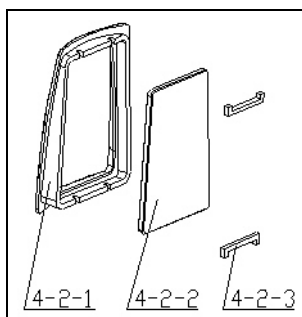
Nr.	Description	St. / Qty.	EUR pc./St.	total/Gesamt
2-2	Keypad (1# Circuit Board)			
2-3	10# Top Cover			
2-4	7# Membrane (FL 40-3Liner)			
2-4-1	7# Membrane (FL 40-3Liner HP)			

Ersatzteile / Spare parts

Linienlaser / Line Laser FL 40-3Liner (530000) and FL 40-3Liner HP (530100)



Nr.	Description	St. / Qty.	EUR pc./St.	total/Gesamt
4-1	Two-Core Plug			
4-2	Window Frame Module			
4-3	603-05-1# Housing			
4-4	603-05-6# Screw			
4-5	Outlet			
4-6	Battery Spring Unit			
4-7	603-05-15# Rubber Stopper			
4-8	603-05-7# Battery Cover (FL 40-3Liner)			
4-8-1	603-05-7# Battery Cover (FL 40-3Liner HP)			



Nr.	Description	St. / Qty.	EUR pc./St.	total/Gesamt
4-2-1	603-05-3# Window Frame			
4-2-2	Window Glass 6			
4-2-3	603-05-12# Glass Press Piece			

geo-Fennel GmbH

Kupferstr. 6, 34225 Baunatal

+49 561-49 21 45, +49 561-49 72 34