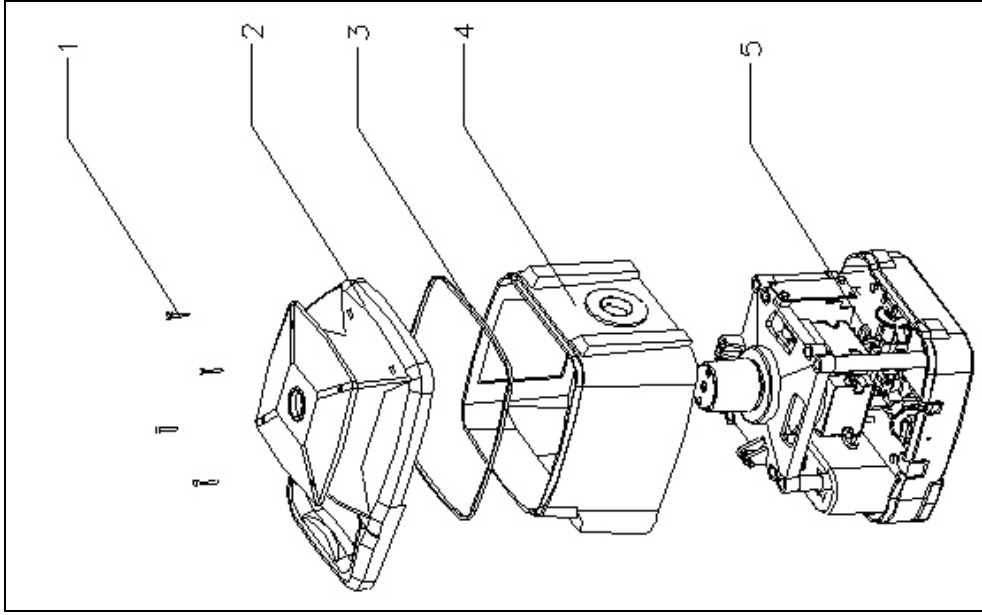
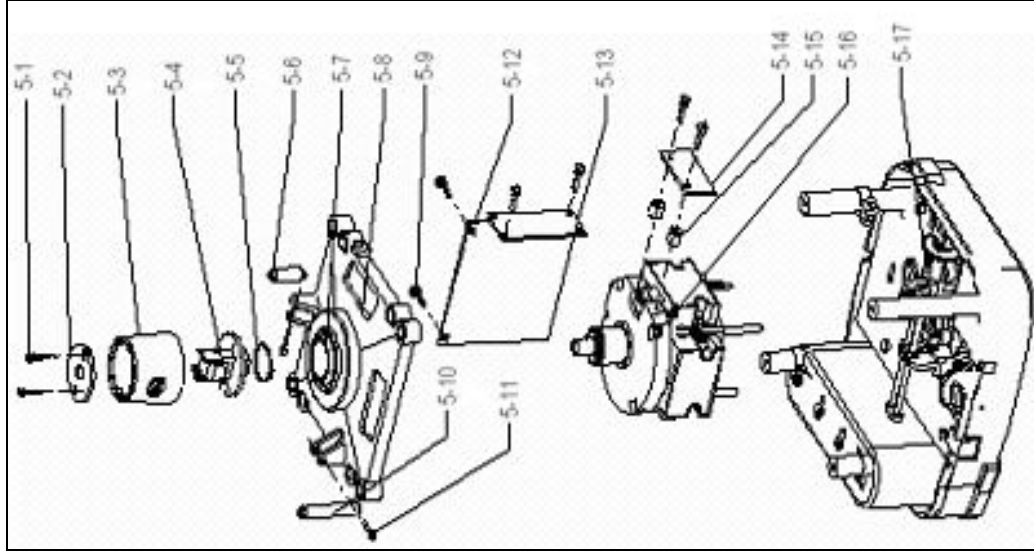


# Ersatzteile / Spare parts Rotationslaser / Rotating Laser FL 250-VA (240000)



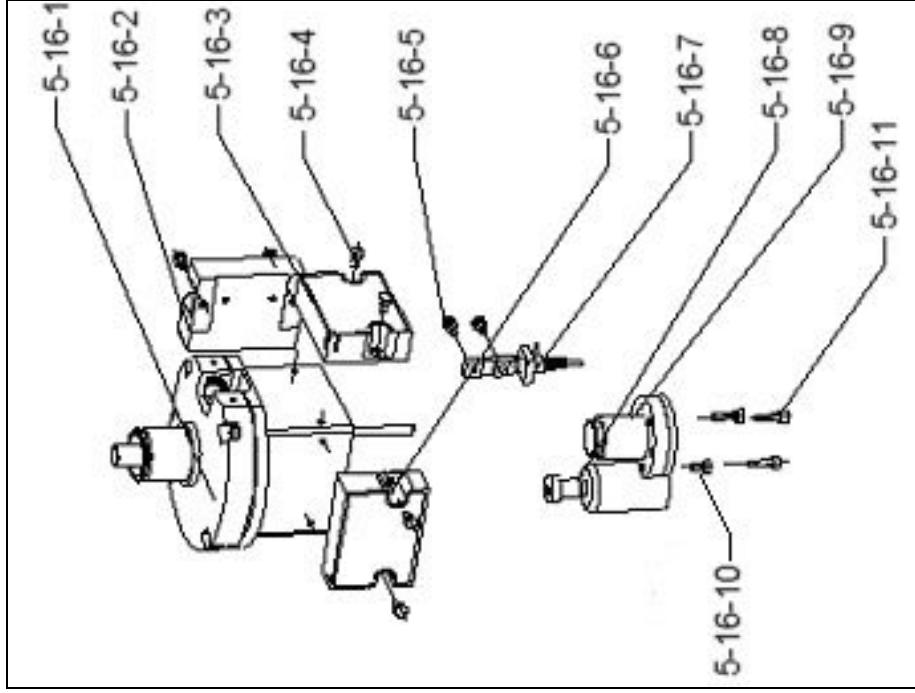
Nr.	Description	St. / Qty.	EUR pc./St.	total/Gesamt
1	Screw (M3x16)		0,10	
2	Top cover incl. Windows		44,00	
3	Sealing ring		1,20	
4	Outer shell assy.		16,00	
4-1	Keypad		3,50	
4-2	5#PC board		8,45	
5	Base		424,20	

# Ersatzteile / Spare parts Rotationslaser / Rotating Laser FL 250-VA (240000)



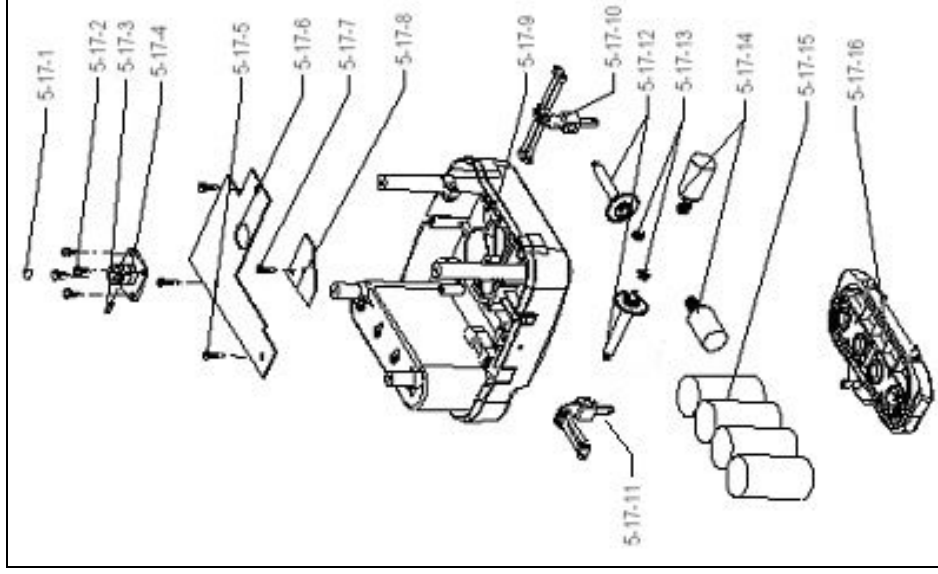
Nr.	Description	St. / Qty.	EUR pc./St.	total/Gesamt
5-1	Screw (M2x22□)		0,10	
5-2	Cover board		0,35	
5-3	Rotating head		4,85	
5-4	Prism module		17,20	
5-5	Block ring I		0,50	
5-6	Pullback spring I		0,40	
5-7	Bearing		6,30	
5-8	Holder		5,85	
5-9	Screw (M2x8 □)		0,10	
5-10	Pullback spring II		0,35	
5-11	Screw for 5-6 + 5-10		0,35	
5-12	2#PC board		85,00	
5-13	4#PC board		32,00	
5-14	3#PC board		15,00	
5-15	Padding ring I		0,30	
5-16	Main part module		134,75	
5-17	Base assembly (w/o batteries.)		120,40	

# Ersatzteile / Spare parts Rotationslaser / Rotating Laser FL 250-VA (240000)



Nr.	Description	St. / Qty.	EUR pc./St.	total/Gesamt
5-16-1	Main part		22,50	
5-16-2	Sensor (Z)		20,00	
5-16-3	Sensor (Y)		20,00	
5-16-4	Screw (M2x4)		0,10	
5-16-5	Screw (M2x8) □		0,10	
5-16-6	Sensor (X)		20,00	
5-16-7	Alarming staff		5,15	
5-16-8	Motor module		26,90	
5-16-9	Laser module		19,80	
5-16-10	Screw (M3x5)		0,10	
5-16-11	Screw (M2x8) □		0,10	

# Ersatzteile / Spare parts Rotationslaser / Rotating Laser FL 250-VA (240000)



Nr.	Description	St. / Qty.	EUR pc./St.	total/Gesamt
5-17-1	Steel ball		0,75	
5-17-2	Screw (ST2.9x8)		0,10	
5-17-3	Screw (M2x4)		0,10	
5-17-4	Base		2,15	
5-17-5	Screw (ST2.9x8)		0,10	
5-17-6	1#PC board		37,00	
5-17-7	Screw (ST2.5x10)		0,10	
5-17-8	Pressing board II		0,35	
5-17-9	Base part		12,00	
5-17-10	Leading block I		12,45	
5-17-11	Leading block II		11,25	
5-17-12	Worm		9,85	
5-17-13	Padding ring		0,50	
5-17-14	Motor		26,75	
5-17-15	NiMH battery pack		22,00	
5-17-16	Battery compartment cover		6,95	