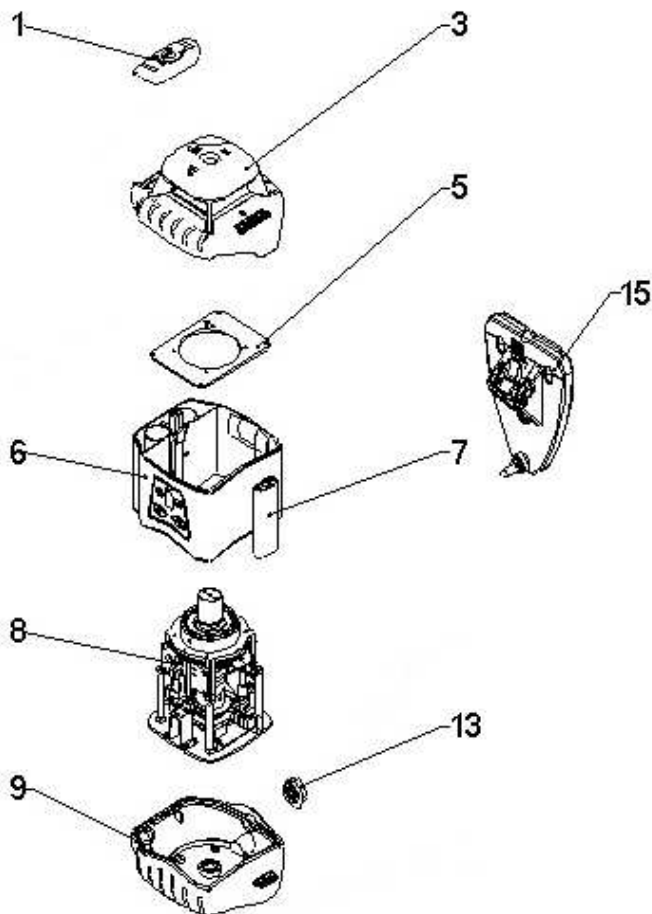


Ersatzteile / Spare parts

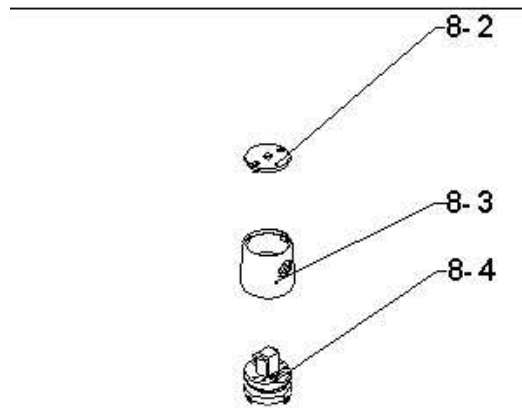
Rotationslaser / Rotating Laser FL 200-A-N (291000)



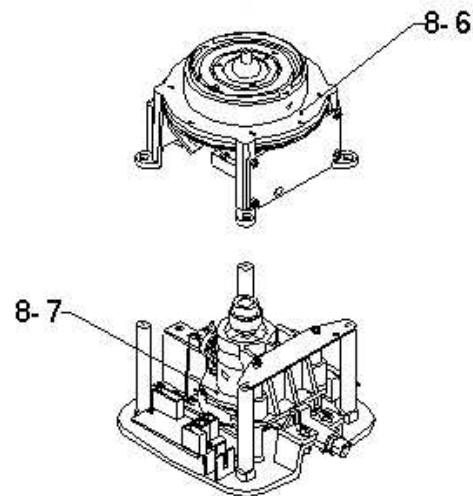
Nr.	Description	St. / Qty.	EUR pc./St.	total/Gesamt
1	battery cover part		1,50	
3	top cover module		30,00	
5	connecting board		2,50	
6	housing module		12,20	
6-1	PCB recharging (w/o pic)		6,65	
7	handle		1,40	
8	core module		196,40	
9	base module		8,90	
13	Lock/Unlock knob (On/Off)		0,50	
15	wall mount		5,50	
16	Container (w/o pic)		40,00	
16-1	Locking device of container (w/o pic)		2,30	
17	2#Ni-MH rechargeable battery (w/o pic)		18,00	
17-1	Charger (w/o pic)		16,00	

Ersatzteile / Spare parts

Rotationslaser / Rotating Laser FL 200-A-N (291000)

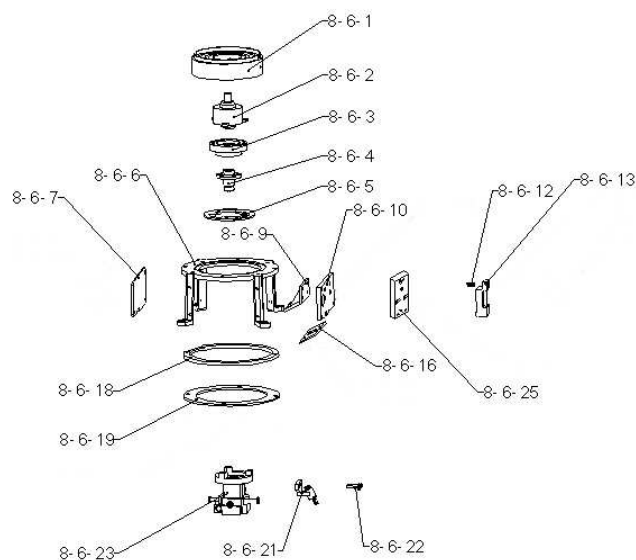


Nr.	Description	St. / Qty.	EUR pc./St.	total/Gesamt
8-2	cover board		0,50	
8-3	rotating head		3,70	
8-3-1	Wedge		2,60	
8-4	prism seat		11,00	
8-6	core part		140,60	
8-7	Base module		39,60	



Ersatzteile / Spare parts

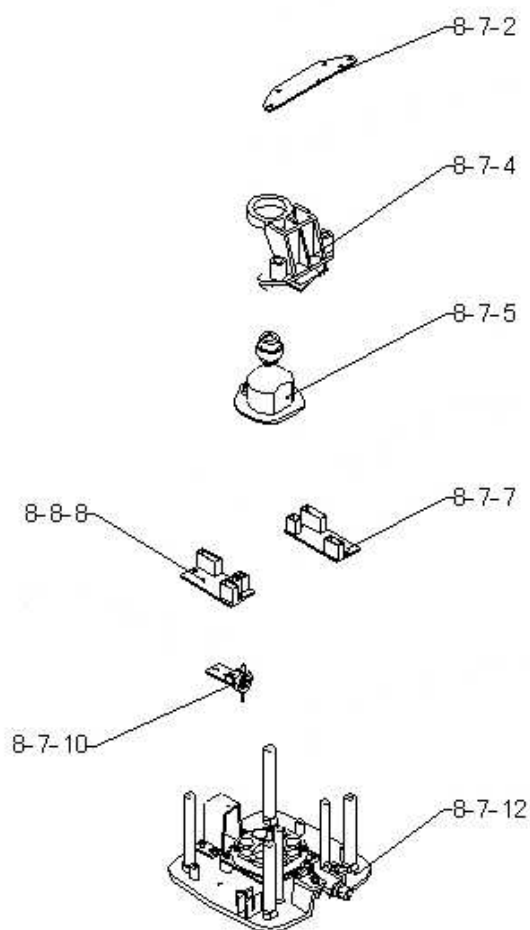
Rotationslaser / Rotating Laser FL 200-A-N (291000)



Nr.	Description	St. / Qty.	EUR pc./St.	total/Gesamt
8-6-1	gimbal module		36,60	
8-6-2	motor		8,70	
8-6-3	connecting seat		3,80	
8-6-4	635 laser module		17,40	
8-6-5	1# connecting PCB		1,40	
8-6-6	bracket		5,80	
8-6-7	5# controlling PCB		36,40	
8-6-9	bracket		0,40	
8-6-10	connecting board		0,75	
8-6-12	pressing spring		0,55	
8-6-13	bubble seat		4,90	
8-6-16	4# alarming PCB		8,55	
8-6-18	pad		1,25	
8-6-19	2# connecting PCB		2,20	
8-6-21	alarming bracket with spring		1,30	
8-6-23	unit base part		6,75	
8-6-25	bubble seat bracket		1,25	

Ersatzteile / Spare parts

Rotationslaser / Rotating Laser FL 200-A-N (291000)



Nr.	Description	St. / Qty.	EUR pc./St.	total/Gesamt
8-7-2	connecting board		0,50	
8-7-4	bracket part		1,10	
8-7-5	pendulum part		8,70	
8-7-7	8# connecting PCB		6,65	
8-7-8	9# connecting PCB		6,65	
8-7-10	compensating part		6,60	
8-7-12	base part		8,00	
8-7-12-1	locking switch		0,20	