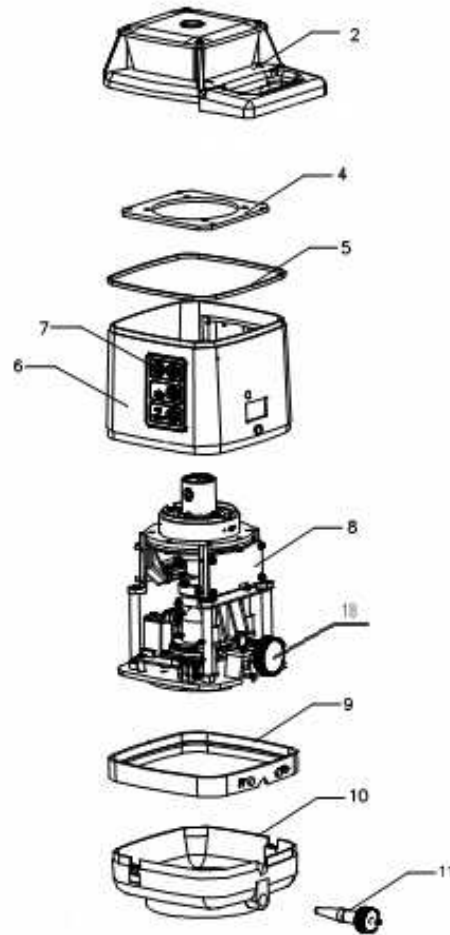


Ersatzteile / Spare parts

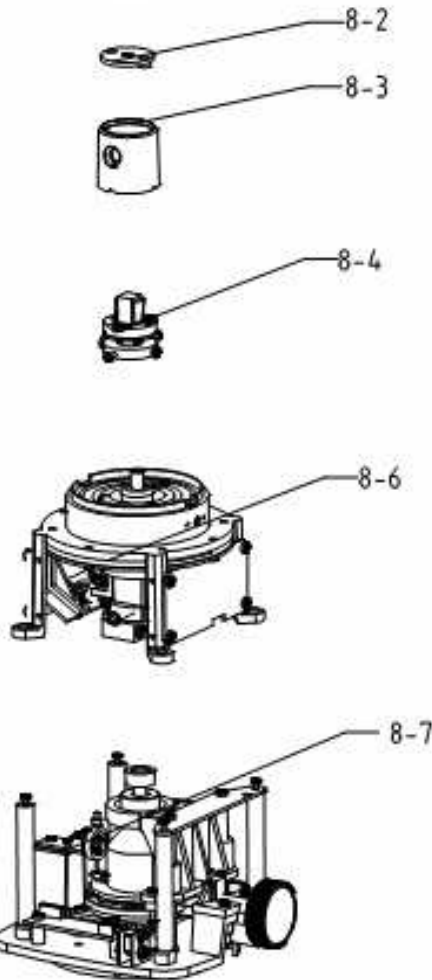
Rotationslaser / Rotating Laser FL 200-A (290000)



Nr.	Description	St. / Qty.	EUR pc./St.	total/Gesamt
2	Top cover		34,00	
4	Connecting plate		2,35	
5	Inlaid strip		1,05	
6	Housing module		12,00	
7	3#"ON/OFF" PC plate (w/o pic)		5,00	
7-1	PCB recharging (w/o pic)		6,65	
8	Inner works module of instrument		195,00	
9	Big ring		1,80	
10	Bottom base module		9,60	
11	Adjusting knob part		5,00	
13	Container (w/o pic)		33,00	
14	NI-MH rechargeable battery (w/o pic)		10,00	
15	Charger (w/o pic)		16,00	
16	Wall mount (w/o pic)		5,00	
17	Locking device of Container (w/o pic)		2,30	
18	Lock/Unlock-knob (On/Off)		0,40	

Ersatzteile / Spare parts

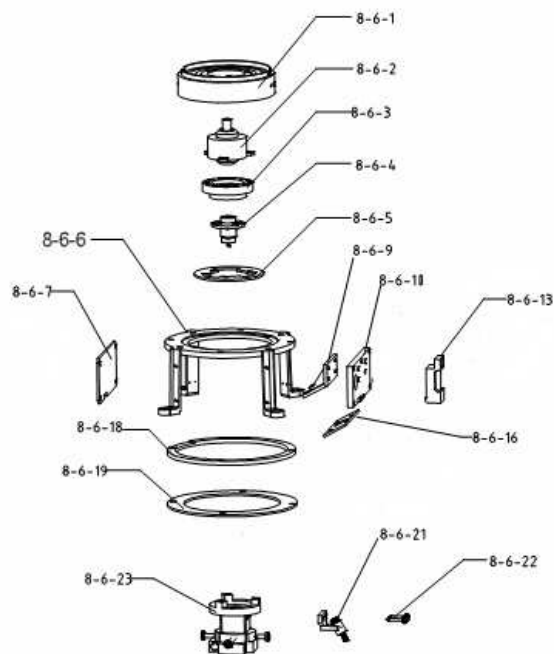
Rotationslaser / Rotating Laser FL 200-A (290000)



Nr.	Description	St. / Qty.	EUR pc./St.	total/Gesamt
8-2	Cover plate		0,35	
8-3	Rotating head		3,30	
8-4	Prism base		16,65	
8-6	Inner works part of instrument		142,60	
8-7	Base module		32,00	

Ersatzteile / Spare parts

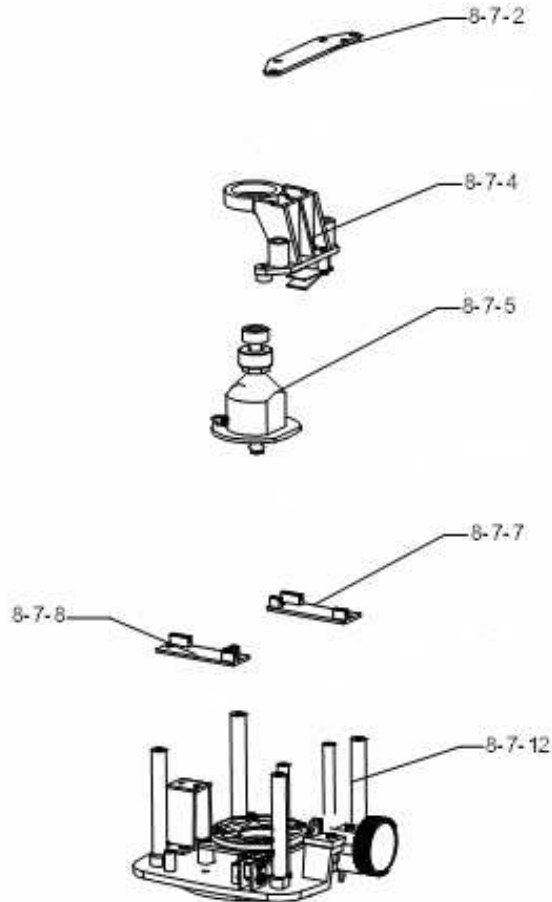
Rotationslaser / Rotating Laser FL 200-A (290000)



Nr.	Description	St. / Qty.	EUR pc./St.	total/Gesamt
8-6-1	Gimbal		37,40	
8-6-2	Motor		11,25	
8-6-3	Connecting base		3,55	
8-6-4	Laser module		22,10	
8-6-5	1# change-over PC plate		1,35	
8-6-6	Support stand		5,55	
8-6-7	5# controlling PC plate		40,00	
8-6-8	Cross plate head screw M2.5x6		0,10	
8-6-9	Support stand (II)		3,60	
8-6-10	Connecting plate (II)		0,85	
8-6-13	Bubble vial base module		4,95	
8-6-16	4# alarm plate		8,50	
8-6-18	Spacer		1,35	
8-6-19	2# change-over PC plate		2,30	
8-6-21	Alarm support stand		1,00	
8-6-23	Unit base part		7,45	

Ersatzteile / Spare parts

Rotationslaser / Rotating Laser FL 200-A (290000)



Nr.	Description	St. / Qty.	EUR pc./St.	total/Gesamt
8-7-2	Change-over plate		0,45	
8-7-4	Support stand		1,50	
8-7-5	Plummet		9,10	
8-7-7	8# change-over plate		6,50	
8-7-8	9# change-over plate		6,50	
8-7-12	Base part		10,25	