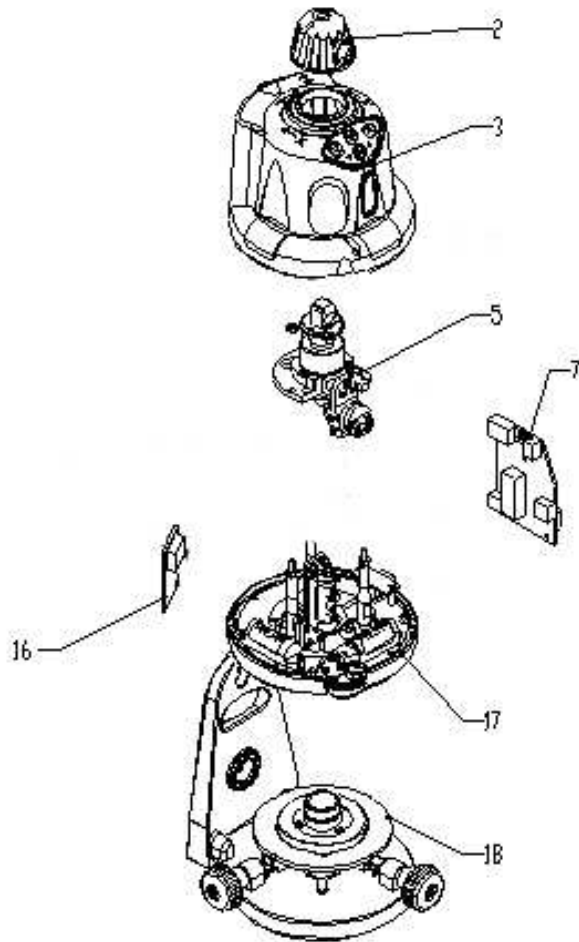


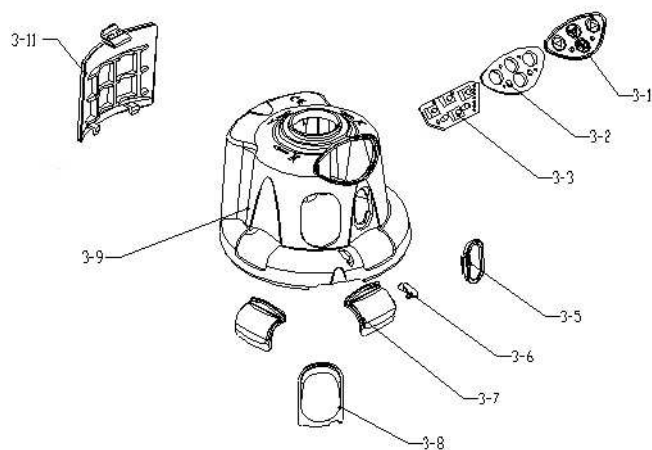
Ersatzteile / Spare parts

Rotationslaser / Rotating Laser FL 20 (270000)



Nr.	Description	St. / Qty.	EUR pc./St.	total/Gesamt
2	Rotorhead		6,50	
3	Housing Part		8,70	
5	Core Part		62,50	
7	2# Circuit Board		24,50	
16	5# Circuit Board		4,85	
17	Base Part		27,25	
18	Self-leveling Base Part		25,40	
20	Carrying Case (w/o pic.)		8,45	

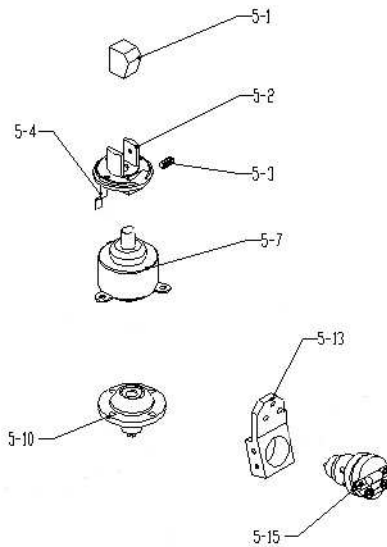
Ersatzteile / Spare parts Rotationslaser / Rotating Laser FL 20 (270000)



Nr.	Description	St. / Qty.	EUR pc./St.	total/Gesamt
3-1	Film switch		1,00	
3-2	Plate for film switch		0,35	
3-3	ON/OFF PCB		2,60	
3-5	Frame for V beam		2,60	
3-6	Rubber		0,20	
3-7	Vial window		0,75	
3-8	Vial window		0,75	
3-9	Main housing		2,95	
3-11	Battery door			

Ersatzteile / Spare parts

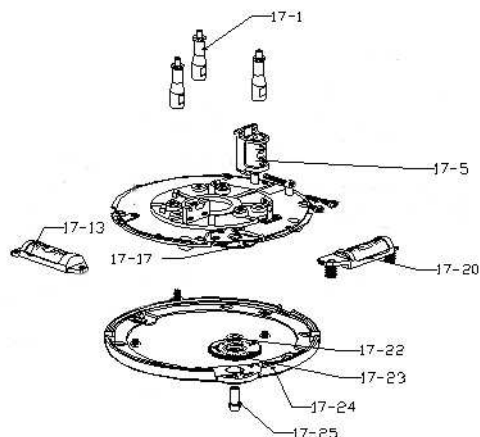
Rotationslaser / Rotating Laser FL 20 (270000)



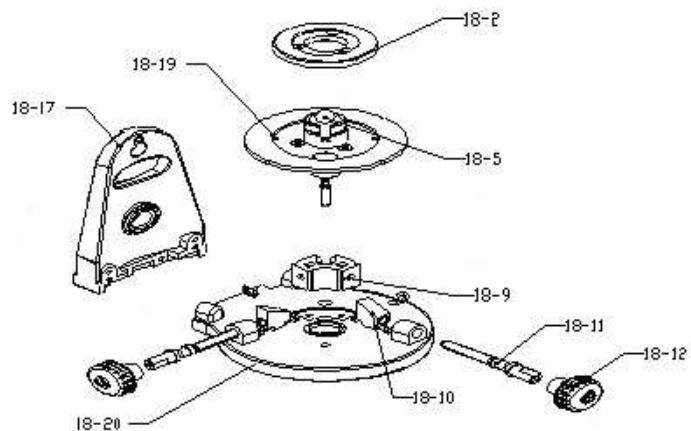
Nr.	Description	St. / Qty.	EUR pc./St.	total/Gesamt
5-1	Prism		8,50	
5-2	Holder for prism		3,30	
5-3	Pin		0,20	
5-4	Scan		0,50	
5-7	Motor		8,50	
5-10	635 Laser Module		17,25	
5-13	Holder for diode		1,85	
5-15	Diode		19,95	

Ersatzteile / Spare parts

Rotationslaser / Rotating Laser FL 20 (270000)



Nr.	Description	St. / Qty.	EUR pc./St.	total/Gesamt
17-1	Connection Pillar		1,00	
17-5	H vial		4,15	
17-13	Vial		4,00	
17-17	Reading scale		0,35	
17-20	Vial		4,00	
17-22	Sliding ring		0,40	
17-23	Dial		0,90	
17-24	Vial		1,75	
17-25	Bolt for slope weal		1,25	



Nr.	Description	St. / Qty.	EUR pc./St.	total/Gesamt
18-2	Guidance Track		4,85	
18-5	Ball Axis 1		1,50	
18-6	Ball Axis 2		0,85	
18-10	Bevel Nut		1,50	
18-11	Screw		2,45	
18-12	Knob		0,50	
18-17	Side Board		3,40	
18-20	Base		3,30	