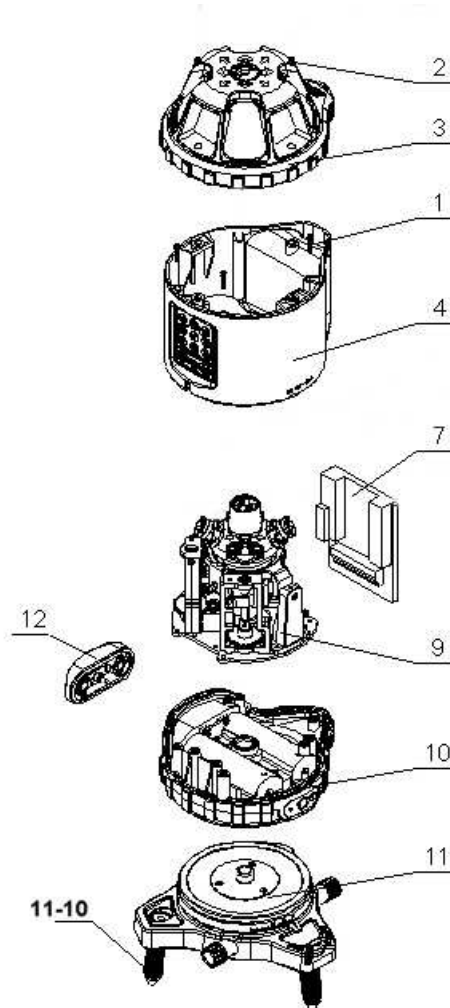


Ersatzteile / Spare parts

Kombinierter Rotations- und Linienlaser / Combined Rotating and Line Laser FL 1000 (585000)



Nr.	Description	St. / Qty.	EUR pc./St.	total/Gesamt
2	Rubber pad		0,04	
3	Top cover parts		54,00	
4	Housing parts		30,70	
7	2# main circuit board parts		82,50	
9	Core parts		299,50	
10	Bottom parts		27,30	
11	Base parts		40,00	
11-10	Support leg turnbuckle parts		2,75	
12	Battery compartment cover		4,50	
13	Container		42,00	
14	Locking device of container		2,30	
15	Set of NiMH batteries		18,00	
16	Charger		16,00	

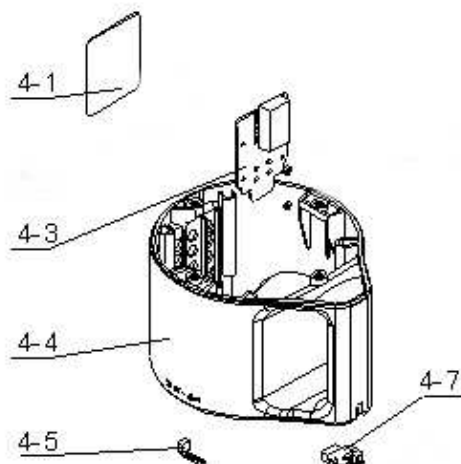
geo-Fennel GmbH

Kupferstr. 6, 34225 Baunatal

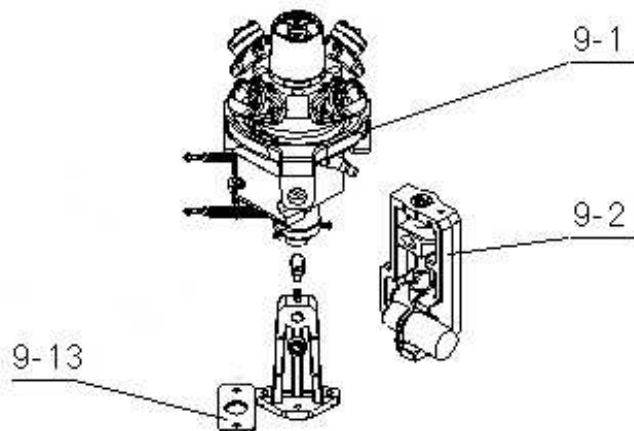
+49 561-49 21 45, +49 561-49 72 34

Ersatzteile / Spare parts

Kombinierter Rotations- und Linienlaser / Combined Rotating and Line Laser FL 1000 (585000)



Nr.	Description	St. / Qty.	EUR pc./St.	total/Gesamt
4-1	Keypad		3,45	
4-3	1# circuit board parts		10,30	
4-4	Housing		11,60	
4-5	Remote control receiving tube		3,40	
4-7	4# connecting circuit board		1,70	



Nr.	Description	St. / Qty.	EUR pc./St.	total/Gesamt
9-1	Main parts of core		239,50	
9-2	Adjusting seat parts (X & Y)		12,90	
9-13	6# alarm circuit board		6,85	

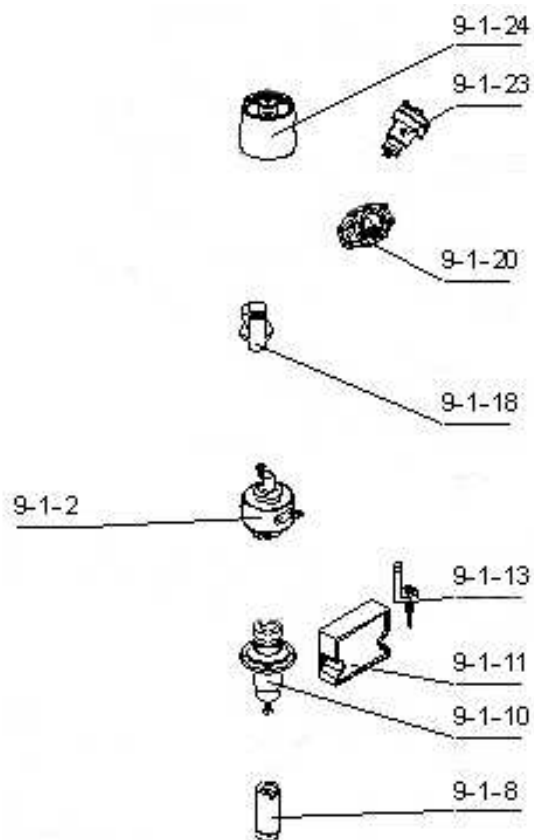
geo-Fennel GmbH

Kupferstr. 6, 34225 Baunatal

☎ +49 561-49 21 45, ✉ +49 561-49 72 34

Ersatzteile / Spare parts

Kombinierter Rotations- und Linienlaser / Combined Rotating and Line Laser FL 1000 (585000)



Nr.	Description	St. / Qty.	EUR pc./St.	total/Gesamt
9-1-2	Electrical motor		10,30	
9-1-8	Plumb-down diode module		7,75	
9-1-10	Horizontal line laser module		18,00	
9-1-11	Sensor parts (X & Y)		18,00	
9-1-13	Alarm pole module		1,75	
9-1-18	Prism module		9,00	
9-1-20	Adjusting seat		4,80	
9-1-23	Vertical line laser diode		18,00	
9-1-24	Rotator head parts		9,25	