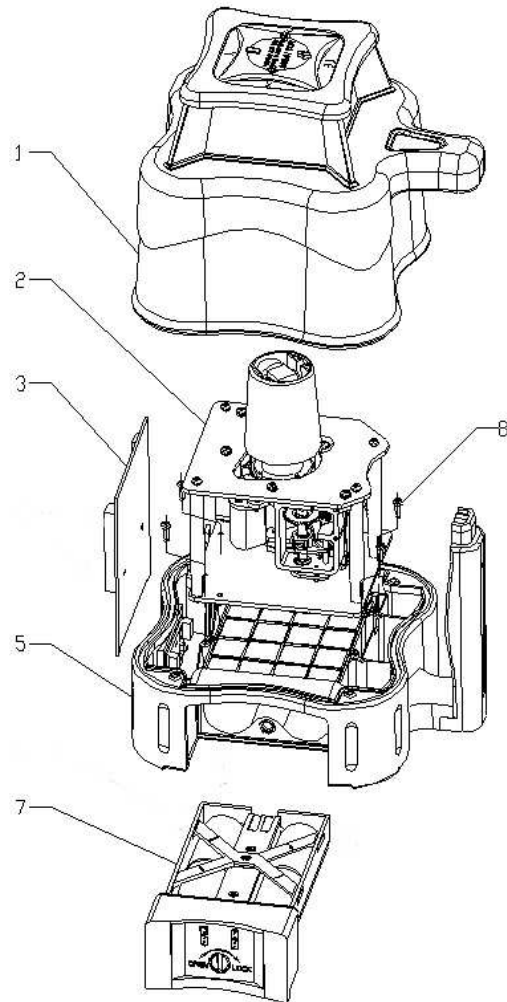


Ersatzteile / Spare parts

Rotationslaser / Rotating Laser FL 100-HA (210000)



| Nr. | Description | St. / Qty. | EUR pc./St. | total/Gesamt |
|-------|--|------------|-------------|--------------|
| 1 | Housing Module | | 56,00 | |
| 2 | Body Module | | 231,09 | |
| 3 | Circuit Board Main-board | | 71,00 | |
| 5 | Base Module | | 37,30 | |
| 7-1 | NiMH-Battery pack with box (w/o pic) | | 20,35 | |
| 7-1-1 | NiMH-Battery box only (w/o pic) | | 10,10 | |
| 7-2 | Alkaline battery box only (w/o charging jack) (w/o pic) | | 5,25 | |
| 9 | Container (w/o pic) | | 40,00 | |
| 9-1 | Locking device of container (w/o pic) | | 2,30 | |
| 10 | Charger (w/o pic) | | 16,00 | |
| 11 | Remote control (w/o pic) | | 24,00 | |

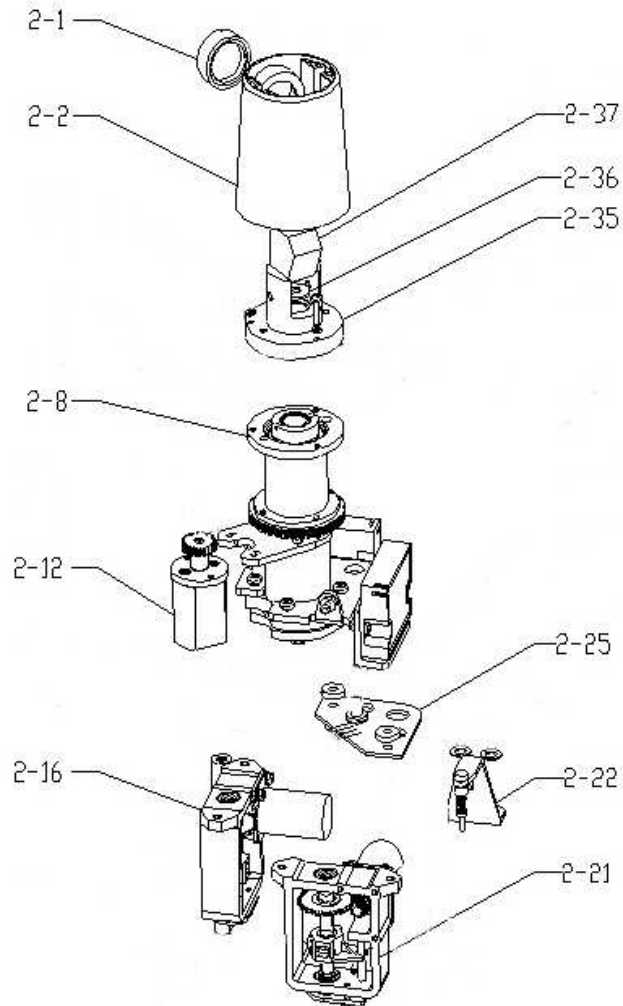
geo-Fennel GmbH

Kupferstr. 6, 34225 Baunatal

+49 561-49 21 45, +49 561-49 72 34

Ersatzteile / Spare parts

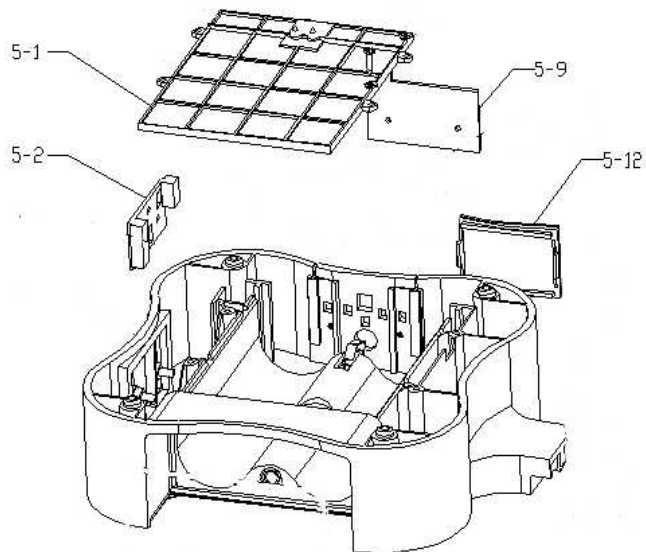
Rotationslaser / Rotating Laser FL 100-HA (210000)



| Nr. | Description | St. / Qty. | EUR pc./St. | total/Gesamt |
|---------|-----------------------------|------------|-------------|--------------|
| 2-1 | Optical Wedge Module | | 3,35 | |
| 2-2 | Rotation Head | | 1,00 | |
| 2-8 | Core Module | | 76,40 | |
| 2-8-1 | Sensor part Y | | 19,50 | |
| 2-8-1.1 | Sensor part X | | 19,50 | |
| 2-8-2 | Laser module | | 19,50 | |
| 2-8-3 | Bearing | | 3,25 | |
| 2-12 | Motor Module | | 23,30 | |
| 2-16 | X-direction Leveling Module | | 34,75 | |
| 2-16-1 | Motor | | 25,70 | |
| 2-16-E | Motion pole | | 0,15 | |
| 2-21 | Y-direction Leveling Module | | 34,15 | |
| 2-21-1 | Motor | | 24,60 | |
| 2-22 | Alarm Adjustment Module | | 1,80 | |
| 2-25 | Circuit Board (alarm board) | | 9,95 | |
| 2-35 | Prism Seat | | 5,00 | |
| 2-36 | Diaphragm | | 0,60 | |
| 2-37 | Penta Prism | | 11,10 | |

Ersatzteile / Spare parts

Rotationslaser / Rotating Laser FL 100-HA (210000)



| Nr. | Description | St. / Qty. | EUR pc./St. | total/Gesamt |
|------|------------------------------|------------|-------------|--------------|
| 5-1 | Cover Board | | 1,20 | |
| 5-2 | Circuit Board (On/Off Panel) | | 5,00 | |
| 5-9 | Circuit Board (Side Panel) | | 6,00 | |
| 5-12 | Transparent Cover Board | | 0,70 | |