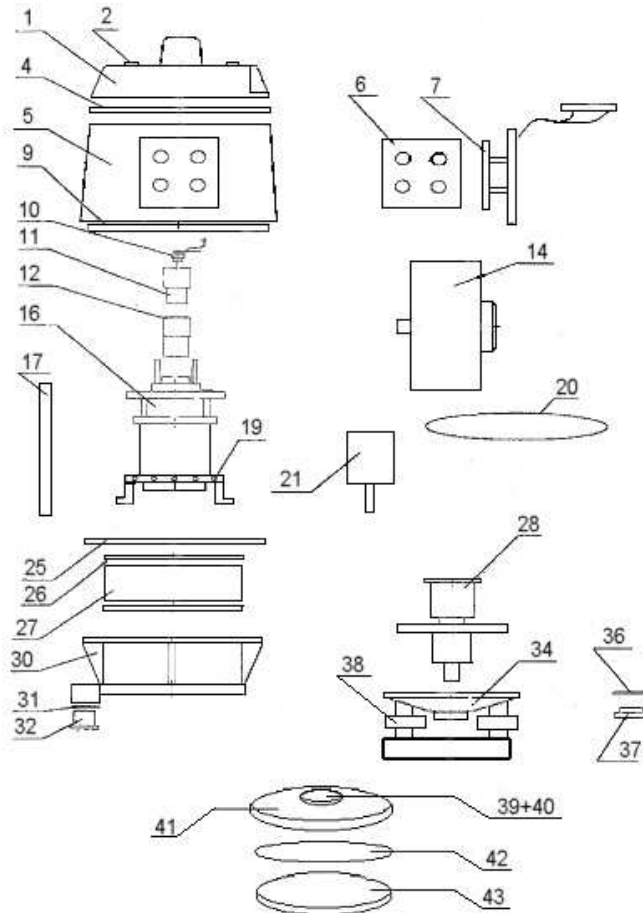


Ersatzteile / Spare parts

Rotationslaser / Rotating Laser FL 1 (250000)



Nr.	Description	St. / Qty.	EUR pc./St.	total/Gesamt
1	Top cover with handle		8,80	
2	Rubber stopper		0,60	
4	Rubber washer		1,55	
5	Housing w. battery contacts		27,70	
5-1	Housing no. 5 + PCB, Keypad + -foil		41,40	
6	Keypad foil		2,00	
7	PCB f. keypad with wire		12,35	
9	Rubber seal ring		0,75	
10	Laser diode with PCB		77,00	
11	Focusing mount		10,30	
12	Eyepiece for focus mount		10,25	
14	Battery pack assy		40,00	
14-1	Charger (w/o pic)		20,00	
16	Compensator w/o laser diode		112,00	
16-1	Compensator in exchange		92,00	
17	Main board		62,00	
19	Contact screw		2,00	
20	Drive belt		1,00	
21	Motor		10,75	
25	Press cover		0,65	
26	Seal washer		1,05	
27	Windows assy.		53,00	
28	Rotating unit assy.		94,00	
30	Frame for windows		27,50	
31	Adjust spring		1,20	
32	Circular bubble assy.		8,40	
33	Adjust screw		0,65	
34	Mount for rot. Unit + foot screw		34,00	
36	Washer		0,25	
37	Guard cover screw rot. unit		2,65	
38	Foot screw		11,50	
39	Centr. fix. screw base plate		1,60	
41	Base plate (upper part)		4,10	
42	Plate		3,35	
43	Base plate (lower part)		7,15	
44	Container (w/o pic.)		94,00	
45	Locking device (w/o pic)		2,30	